

# Tiandy



TC-C35MS Spec: I5/A/E/Y/M/H/2.7-13.5mm/V4.1

## 5MP Starlight Motorized IR Dome Camera



Pro Series

### KEY FEATURES

- Full Metal Housing
- Motorized Lens 2.7-13.5mm
- Up to 2880x1620@25fps, 1920x1080@60fps
- S+265/H.265/H.264/M-JPEG
- Min. illumination Color: 0.001Lux@F1.6
- Smart IR, IR Range: 50m
- Support Video Analytics
- Support Human/Vehicle Classification
- Support Face Capture Mode
- Built-in Mic, audio I/O 1/1, alarm I/O 2/1
- Plugin Free
- Operating Conditions -35°C~65°C, 0~95% RH
- POE, IP67, IK10



**Tiandy Technologies Co.,Ltd.**

Email: [sales@tiandy.com](mailto:sales@tiandy.com)  
Website: [en.tiandy.com](http://en.tiandy.com)

Tel: +86-22-58596178  
Fax: +86-22-58596048



## SPECIFICATIONS

Camera	
Image Sensor	1/2.8" CMOS
Signal System	PAL/NTSC
Min. Illumination	Color: 0.001Lux@ (F1.6, AGC ON), B/W: 0Lux with IR
Shutter Time	1s to 1/100,000s
Day & Night	Dual IR Cut Filter with Auto Switch
Wide Dynamic Range	120dB
Angle Adjustment	pan 0~330°, tilt 0~75°, roate 0~350°
Lens	
Lens Type	Motorized
Focus	2.7-13.5mm
Lens Mount	Φ14
Aperture	F1.6
FOV	pan 0~330°,tilt 0~75°,roate 0~350°
Illuminator	
IR LEDs	18
IR Range	Up to 50m
Wavelength	850nm
White/Warmlight LEDs	N/A
Compression Standard	
Video Compression	S+265/H.265/H.264/M-JPEG
Video Bit Rate	32Kbps~16Mbps
Audio Compression	G.711A/G.711U/ADPCM/AAC
Audio Bit Rate	8K~48Kbps
Image	
Max. Resolution	2592x1944
Main Stream	PAL:25fps(2880x1620,2688x1520,2560x1440,2304x1296)50fps(1920x1080,1280x720) NTSC:30fps(2880x1620,2688x1520,2560x1440,2304x1296)60fps(1920x1080,1280x720)
Sub Stream	PAL: 25fps (704×576, 704×288, 640×360, 352×288) NTSC: 30fps (704×480, 704×240, 640×360, 352×240)
Third Stream	PAL: 25fps(1920×1080, 1280×720, 704×576, 704×288, 640×360, 352×288) NTSC: 30fps(1920×1080, 1280×720, 704×480, 704×240, 640×360, 352×240)
Image Setting	Saturation, brightness, contrast, sharpness, adjustable by client software or web browser
Image Enhancement	BLC/3D DNR/HLC/Corridor Format
ROI	Support 8 fixed regions of coding
OSD	16x16,32x32,48x48,64x64,adaptable size,Letters Such as Week,Date,Time,Total 5 Regions
Picture Overlay	Yes
Privacy Mask	Yes, 4 regions
Smart Defog	Yes
Feature	
Alarm Trigger	Event Input,Event Output,Motion Detection,Mask Alarm,Disk Full,Disk R/W Error,IP Address Conflict,MAC Address Conflict,FTP Server Exception,Video Abnormal,Audio Abnormal
Video Analytics	Tripwire,Double Tripwire,Perimeter,Object Abandon,Object Lost,Loitering,Running,Parking,Crowded, People Counting,On Duty Detection,Heatmap,Face Capture,Safety Helmet Detection,Human/ Vehicle Classification
Early Warning(EW)	N/A



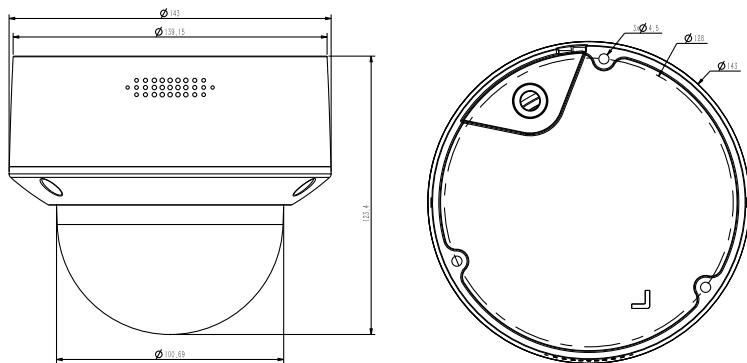
Network	
ANR	Yes(Only Support Tiandy ANR NVR)
Protocols	IPv4,IPv6,IGMP,ICMP,ARP,TCP,UDP,DHCP,PPPoE,RTP,RTSP,RTCP,DNS,DDNS,NTP,FTP,UPnP,HT TP,HTTPS,SMTP,802.1x,SNMP,SSL,QoS,Telnet,RTMP;SFTP;Multicast;NFS
System Compatibility	ONVIF(PROFILE S/T/G/M),SDK,Milestone,CGI,P2P
Remote Connection	≤2
Client	Easy7, EasyLive
Web Version	Web6
Interface	
Communication Interface	1 RJ45 10M/ 100M self adaptive Ethernet port, RS 485
Audio	1/1, Mic in
Alarm	2/1
Reset Button	Yes
On-board storage	Built-in Micro SD card slot, up to 512 GB
General	
Firmware Version	-
Web Client Language	17 languages Simplified Chinese/English/Traditional Chinese/Spanish/Italian/Korean/Turkish/Russian/ Thai/ Polish/French/Dutch/Hebrew/Persian/Vietnamese/Arabic/German/Ukrainian
Operating Conditions	-35°C ~ 65°C, 0 ~ 95% RH
Power Supply	DC12V±25%/PoE
Power Consumption	MAX: 7.5W (12V) MAX: 9W (PoE)
Protection	IP67, IK10, Lightning protection, surge protection and voltage transient protection meets EN 55035:2017
Heater	N/A
Dimensions	Φ143×124mm (Φ5.63×4.88inch)
Weight	0.88Kg(1.94lb)

\* Listed resolutions are only selectable options. It does not mean that all streams can work at their maximum resolution at the same time.

## AVAILABLE MODEL

**TC-C35MS SPEC: I5/A/E/Y/M/H/2.7-13.5MM/V4.1**

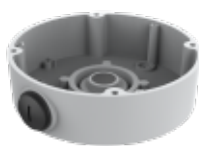
## DIMENSIONS (Unit: mm)



## ACCESSORIES



A28  
Wall Mount



TC-P54BM Spec: V3  
Junction Box

DISTRIBUTED BY



**Tiandy Technologies Co.,Ltd.**

Email: [sales@tiandy.com](mailto:sales@tiandy.com)  
Website: [en.tiandy.com](http://en.tiandy.com)

Tel: +86-22-58596178  
Fax: +86-22-58596048