

Tiandy



TC-C34XP Spec: W/E/Y/(M)/2.8mm/V4.0 4MP Fixed Color Maker Turret Camera

Lite Series



KEY FEATURES

- Default: Metal+Plastic, M: Metal Housing
- Up to 2592x1520@25fps
- S+265/H.265/H.264
- Min. illumination Color: 0.0008Lux@F1.0
- 120dB WDR
- 2 Warm lights, 15~20m
- Support tripwire and perimeter
- Built-in Mic, SD Card Slot, Reset Button
- Operating Conditions -40°C~60°C, 0~95% RH
- POE, IP67



Tiandy Technologies Co.,Ltd.

Email: sales@tiandy.com Tel: +86-22-58596178
Website: en.tiandy.com Fax: +86-22-58596048



SPECIFICATIONS

Camera	
Image Sensor	1/2.8" CMOS
Signal System	PAL/NTSC
Min. Illumination	Color:0.0008Lux@(F1.0,AGC ON),0Lux with LED on
Shutter Time	1s to 1/100,000s
Day & Night	N/A
WDR	120dB
Angle Adjustment	pan 0~340°,tilt 0~75°,roate 0~360°
Lens	
Lens Type	Fixed
Focus	2.8mm
Lens Mount	M12
Aperture	F1.0,Fixed
FOV	Horizontal field of view:100.1°; Vertical field of view:57.8°
Illuminator	
IR LEDs	N/A
IR Range	N/A
Wavelength	N/A
White LEDs/Warmlights	2
Compression Standard	
Video Compression	S+265/H.265/H.264
Video Bit Rate	32Kbps~6Mbps
Audio Compression	G.711A/G.711U/ADPCM_D_D
Audio Bit Rate	8K,32K,48Kbps
Image	
Max. Resolution	2592x1520
Main Stream	PAL:25fps(2592x1520,2560x1440,2304x1296,1920x1080,1280x720) NTSC:24fps(2592x1520,2560x1440),30fps(2304x1296,1920x1080,1280x720)
Sub Stream	PAL:25fps(704x576,704x288,640x360,352x288) NTSC:30fps(704x480,704x240,640x360,352x240)
Third Stream	N/A
Image Setting	Saturation,brightness,contrast,sharpness,adjustable by client software or web browser
Image Enhancement	BLC/3D DNR/HLC
ROI	N/A
OSD	16x16,32x32,48x48,64x64,adaptable size,Letters Such as Week,Date,Time,Total 1 Regions
Picture Overlay	N/A
Privacy Mask	Yes,4 regions
Smart Defog	Yes
Feature	
Alarm Trigger	Motion Detection,Mask Alarm,IP Address Conflict
Video Analytics	Tripwire,Perimeter
Early Warning(EW)	N/A
Network	
ANR	Yes(Only Support Tiandy ANR NVR)
Protocols	HTTP,TCP/IP,ICMP,FTP,DHCP,DNS,DDNS,RTP,RTSP,RTCP,NTP,UPnP,UDP
System Compatibility	ONVIF(PROFILE S/T/G),SDK,CGI,Milestone,P2P(Mutually exclusive with Profile G)
Remote Connection	2
Client	Easy7,EasyLive
Web Version	Web6

Tiandy

Interface	
Communication Interface	1 RJ45 10M/ 100M self adaptive Ethernet port
Audio I/O	Mic in
Alarm I/O	N/A
Speaker	N/A
Reset Button	Yes
On-board storage	Built-in MicroSD card slot, up to 512 GB
General	
Web Client Language	17 languages Chinese Simplified/English/Chinese Traditional/Spanish/Italian/Korean/Turkish/Russian/Thai Chinese/Polish/French/Dutch/Hebrew/Vietnamese/Arabic/German/Ukrainian
Operating Conditions	-35°C~60°C ,0~95% RH
Power Supply	DC 12V±25%,PoE(802.3af)
Power Consumption	MAX:6W(12V) MAX:8W(PoE)
Protection	IP67
Heater	N/A
Dimensions	Φ116.6x83.7mm(Φ4.59x3.30inch)
GrossWeight	Metal+Plastic:0.51Kg(1.12lb) Metal:0.34Kg(0.75lb)
NetWeight	Metal+Plastic:0.64Kg(1.41lb) Metal:0.47Kg(1.03lb)

* Listed resolutions are only selectable options. It does not mean that all streams can work at their maximum resolution at the same time.

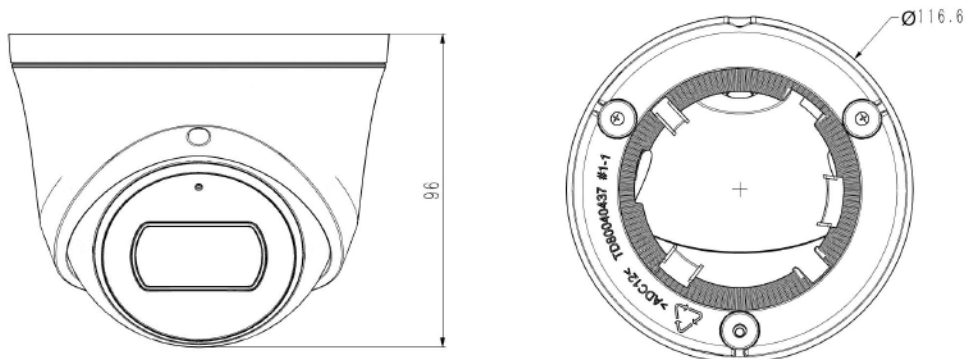
AVAILABLE MODEL

TC-C34XP SPEC: W/E/Y/2.8MM/V4.0

TC-C34XP SPEC: W/E/Y/M/2.8MM/V4.0

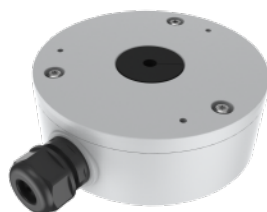
Tiandy

DIMENSIONS



ACCESSORIES

A29
A29 WALL MOUNT



TC-P54BM SPEC: V5
JUNCTION BOX



A36
POLE MOUNT

DISTRIBUTED BY



Tiandy Technologies Co.,Ltd.

Email: sales@tiandy.com
Website: en.tiandy.com

Tel: +86-22-58596178
Fax: +86-22-58596048