

# Tiandy



## TC-C32MS Spec: I3/A/E/Y/M/C/H/2.7-13.5mm 2MP Motorized Starlight IR Dome Camera



Lite Series

### KEY FEATURES

- Full Metal Housing
- Motorized Lens 2.7-13.5mm
- Up to 1920x1080@30fps
- S+265/H.265/H.264
- Min. illumination Color: 0.002Lux@F1.6
- Smart IR, IR Range: 30m
- Support tripwire and perimeter
- Built-in Mic, SD Card Slot, Reset Button
- Audio I/O 1/1, Alarm I/O 1/1
- Operating Conditions -35°C~60°C, 0~95% RH
- POE, IP66, IK10



**Tiandy Technologies Co.,Ltd.**

Email: [sales@tiandy.com](mailto:sales@tiandy.com) Tel: +86-22-58596178  
Website: [en.tiandy.com](http://en.tiandy.com) Fax: +86-22-58596048



## SPECIFICATIONS

Camera	
Image Sensor	1/2.8" CMOS
Signal System	PAL/NTSC
Min. Illumination	Color:0.002Lux@(F1.6,AGC ON),B/W:0Lux with IR
Shutter Time	1s to 1/100,000s
Day & Night	Dual IR Cut Filter with Auto Switch
WDR	120dB
Angle Adjustment	pan 0~330°,tilt 0~75°,roate 0~350°
Lens	
Lens Type	Motorized
Focus	2.7-13.5mm
Lens Mount	Φ14
Aperture	F1.6
FOV	Horizontal field of view:102.9°~31.4°; Vertical field of view:55~17.9°
Illuminator	
IR LEDs	18
IR Range	Up to 30m
Wavelength	850nm
White LEDs/Warmlights	N/A
Compression Standard	
Video Compression	S+265/H.265/H.264
Video Bit Rate	32Kbps~6Mbps
Audio Compression	G.711A/G.711U/ADPCM_D_D
Audio Bit Rate	8K,32K,48Kbps
Image	
Max. Resolution	1920x1080
Main Stream	PAL:25fps(1920x1080,1280x720,704x576,640x480) NTSC:30fps(1920x1080,1280x720,704x480,640x480)
Sub Stream	PAL:25fps(704x576,704x288,640x360,352x288) NTSC:30fps(704x480,704x240,640x360,352x240)
Third Stream	N/A
Image Setting	Saturation,brightness,contrast,sharpness,adjustable by client software or web browser
Image Enhancement	BLC/3D DNR/HLC
ROI	Support 8 fixed regions of coding
OSD	16x16,32x32,48x48,adaptable size,Letters Such as Week,Date,Time,Total 1 Regions
Picture Overlay	N/A
Privacy Mask	Yes,4 regions
Smart Defog	Yes
Feature	
Alarm Trigger	Motion Detection,Mask Alarm,IP Address Conflict
Video Analytics	Tripwire,Perimeter
Early Warning(EW)	N/A
Network	
ANR	Yes(Only Support Tiandy ANR NVR)
Protocols	HTTP,TCP/IP,UDP,UPnP,ICMP,DHCP,DNS,DDNS,Easy DDNS,NTP,IPv4,RTSP,RTMP
System Compatibility	ONVIF(PROFILE S/T/G),SDK,CGI,Milestone,P2P(Mutually exclusive with Profile G)
Remote Connection	2
Client	Easy7,EasyLive Plus
Web Version	Web6

# Tiandy

Interface	
Communication Interface	1 RJ45 10M/ 100M self adaptive Ethernet port
Audio I/O	1/1, Mic in
Alarm I/O	1/1
Speaker	N/A
Reset Button	Yes
On-board storage	Built-in MicroSD card slot, up to 512 GB
General	
Web Client Language	17 languages English, Russian, Spanish, Korean, Italian, Turkish, Simple Chinese, Traditional Chinese, Thai, French, Polish, Dutch, Hebrew, Arabic, Vietnamese, German, Ukrainian
Operating Conditions	-35°C~60°C, 0~95% RH
Power Supply	DC 12V±25%, PoE(802.3af)
Power Consumption	MAX:6W(12V) MAX:8W(PoE)
Protection	IP66
Heater	N/A
Dimensions	Φ143x124mm(Φ5.63x4.88inch)
GrossWeight	1.1Kg(2.42lb)
NetWeight	0.8Kg(1.76lb)

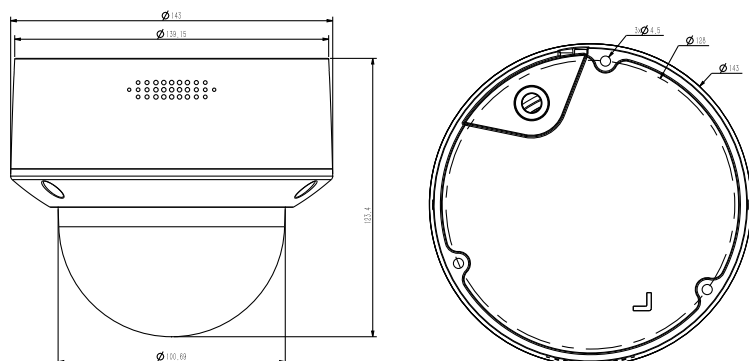
\* Listed resolutions are only selectable options. It does not mean that all streams can work at their maximum resolution at the same time.

## AVAILABLE MODEL

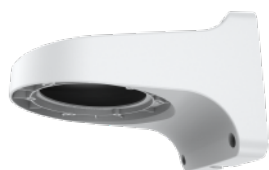
## TC-C32MS SPEC: I3/A/E/Y/M/C/H/2.7-13.5MM

# Tiandy

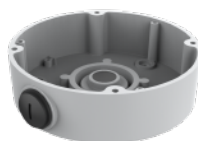
## DIMENSIONS (Unit: mm)



## ACCESSORIES



A28  
Wall Mount



TC-P54BM Spec: V3  
Junction Box

DISTRIBUTED BY



**Tiandy Technologies Co.,Ltd.**

Email: [sales@tiandy.com](mailto:sales@tiandy.com)  
Website: [en.tiandy.com](http://en.tiandy.com)

Tel: +86-22-58596178  
Fax: +86-22-58596048