



1 DAH 02 HANDSET

FOR OUTDOOR INTERCOM STATIONS

The handset is designed to be connected to the digital INDUSTRONIC outdoor intercom stations of the DAE 0x5 and DAE 7x5 series.

The handset is lightweight, handy and has excellent sound quality. Depending on the configuration, conversations can be established as duplex or half-duplex connections. The spring mechanism with lock holds the handset securely in the cradle. Furthermore, the handset can be replaced in such a way that the connection remains established.



- Industrial handset for use in noisy areas
- Lightweight, handy and easy to operate
- Degree of protection IP66
- Duplex or half-duplex operation
- Automatic hook-off detection
- Reliable spring mechanism with lock
- Suitable for use with INDUSTRONIC intercom stations of the DAE 0x5 and DAE 7x5 series

COMPONENTS

- Housing with spring mechanism for handset
- Handset with stainless steel reinforced armored cord
- Connection line to intercom station

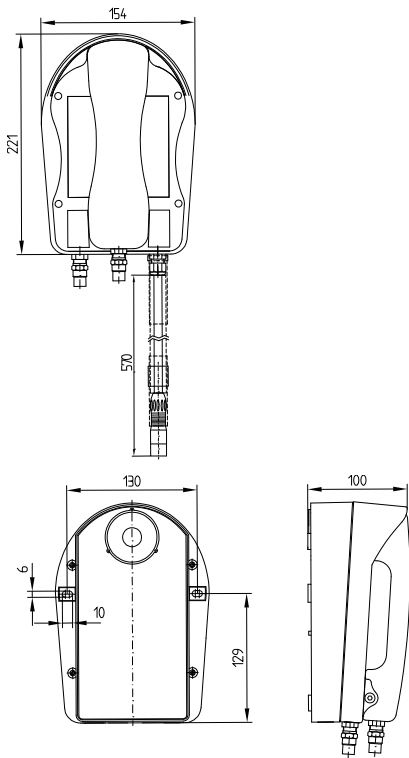
MECHANICAL DATA

Width x height x depth	154 mm x 221 mm x 100 mm (6.06" x 8.70" x 3.94")
Length of armored cord	1 m (3.28 ft)
Length connection line	0.6 m (1.97 ft)
Weight	Approx. 1.5 kg (approx. 3.31 lbs)
Color	Dark gray

ELECTRICAL DATA

Microphone type	Electret
Receiver inset	Dynamic
Input level	0 dB / 200 Ohms

DIMENSIONS



ENVIRONMENTAL REQUIREMENTS AND STANDARDS

Ambient temperature during operation	-20 °C to +55 °C (-4 °F to +131 °F)
Relative humidity (non-condensing)	Max. 95 %
Degree of protection	IP66
Max. ambient noise level	100 dB
EMC	IEC/EN 61000-6-2 IEC/EN 61000-6-4

SCOPE OF SUPPLY

1 x handset with cradle and connection line

ORDER DATA

Type number 301-432-700

© INDUSTRONIC