



2 SSH 16

# ACOUSTIC HOOD

## FOR USE IN EX ZONES 1, 2, AND 22

The acoustic hood is used for noise reduction in extremely noisy environments. It ensures a high level of noise insulation and thus allow a clear and understandable communication

Optional accessories such as an expansion unit or a handset can be installed.



- Acoustic hood made of stainless sheet steel (V2A), powder-coated for use in Ex zones 1, 2, and 22
- Inner material is flame-retardant insulation of special foam rubber according to UL94-HF1
- Up to 30 dB noise reduction
- Suitable for use with INDUSTRONIC intercom stations of the DA(E)/DX(E) 0x5, DA(E)/DX(E) 7x5 and NRO xx2 series

### TECHNICAL DATA

<b>Outer material</b>	Powder-coated stainless sheet steel (V2A)
<b>Inner lining</b>	Stainless steel perforated plate and special foam rubber
<b>Insulation</b>	Flame-retardant according UL94-HF1
<b>Noise reduction</b>	Max. 30 dB
<b>Width x height x depth</b>	650 mm x 900 mm x 535 mm (25.59" x 35.43" x 21.06")
<b>Weight</b>	Approx. 35 kg (approx. 77.16 lbs)
<b>Ambient temperature</b>	-40 °C to +85 °C (-40 °F to +185 °F)
<b>Colors</b>	Orange, red, yellow, green, black Other colors are available upon request.

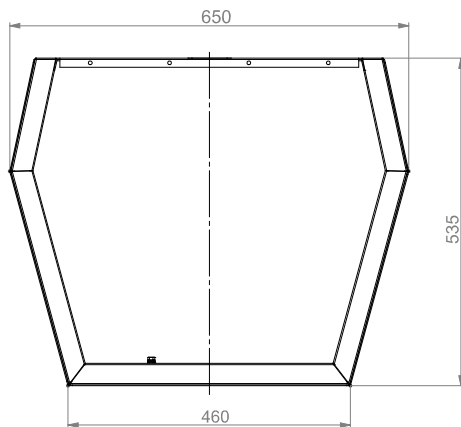
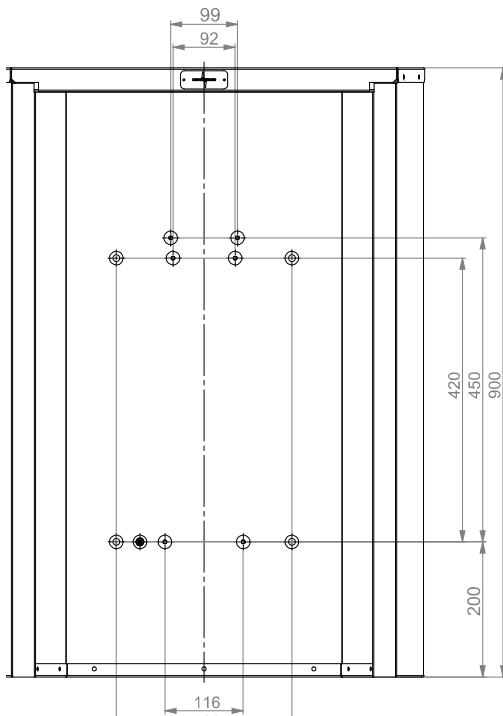
### OPTION

<b>Mounting plate for expansion unit / Handset</b>	212-237-300
--	-------------

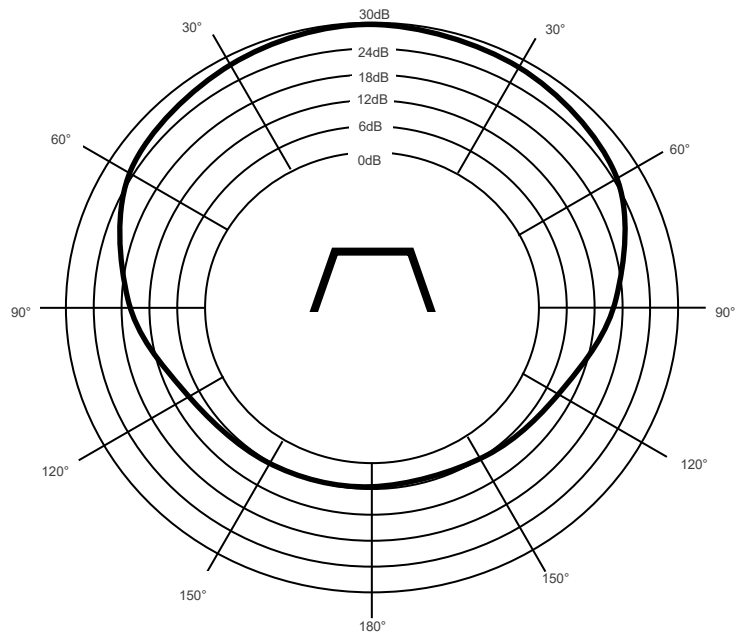
### SCOPE OF SUPPLY

1 x acoustic hood
1 x mounting material

## DIMENSIONS



## POLAR DIAGRAM



## ORDER DATA

Color	Type Number
Orange	070-200-200/OG
Red	070-200-200/RD
Yellow	070-200-200/YE
Green	070-200-200/GN
Black	070-200-200/BK

© INDUSTRONIC