



BExBG21D-P 115 VAC / 230 VAC

# EX FLASHING WARNING BEACON

## FOR USE IN EX ZONES 1, 2, 21, AND 22

The explosion-proof flashing warning beacon is used to visually indicate alarm signals as well as incoming calls in explosive environments. It is connected to and controlled via the INDUSTRONIC system.

The robust beacon can be installed both indoors and outdoors. Simply change the color at a later date by replacing the color filter of the beacon in the field.



- Universal application possibilities
- Suited for Ex zones 1, 2, 21, and 22
- Degree of protection IP66 and IP67
- Corrosion-proof, marine grade aluminum
- UV-stable Polycarbonate color lens filters replaceable in the field
- Xenon lamp mechanically secured against shock and vibration
- Stainless steel dome guard
- 3 distinct user selectable flash patterns

### MECHANICAL DATA

<b>Housing material</b>	Aluminum (phosphated and powder-coated)
<b>Lens material</b>	Tempered glass
<b>Ceiling and wall-mounting bracket</b>	Stainless steel
<b>Width x height of beacon</b>	154 mm x 246 mm (6.06" x 9.69")
<b>Width x length of wall-mounting bracket</b>	145 mm x 154 mm (5.71" x 6.06")
<b>Cable gland</b>	2 entries M20 x 1.5
<b>Connection</b>	Screw terminals for in and out
<b>Clamping range</b>	0.5 mm <sup>2</sup> to 2.5 mm <sup>2</sup>
<b>Weight</b>	Approx. 3 kg (approx. 6.61 lbs)

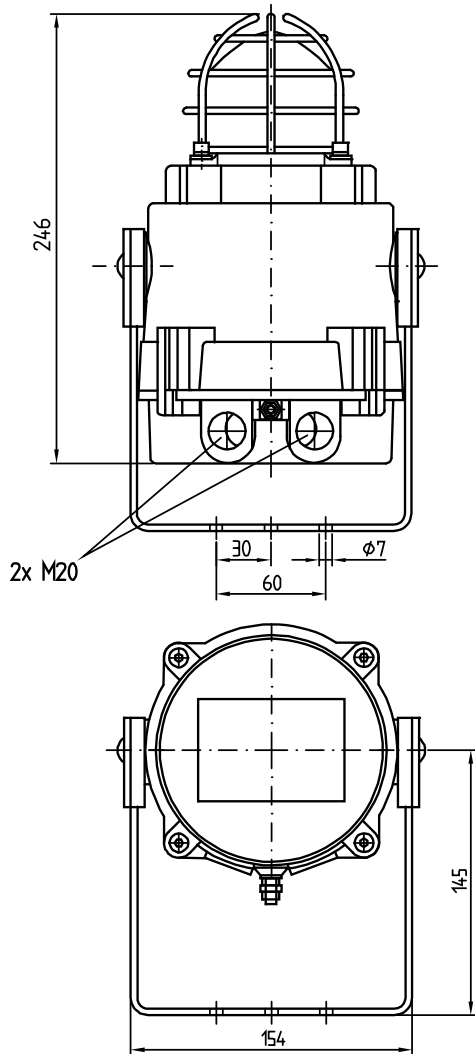
### ELECTRICAL DATA

Version	Voltage Range	Current Consumption
115 VAC (50/60 Hz)	+/-10 %	560 mA
230 VAC (50/60 Hz)	+/-10 %	280 mA

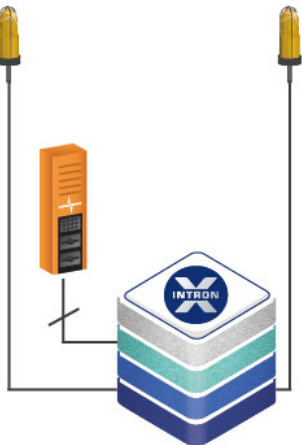
### FLASH DATA

<b>Flash energy</b>	21 J
<b>Flash rate</b>	1 Hz, 2 Hz and double strike 1 Hz (adjustable)

## DIMENSIONS



## APPLICATION



## ENVIRONMENTAL REQUIREMENTS AND STANDARDS

<b>Ambient temperature during operation</b>	-50 °C to +70 °C (-58 °F to +158 °F)
<b>Protection class</b>	Class I
<b>Degree of protection</b>	IP66 and IP67
<b>Gas explosion protection zones 1 and 2</b>	II 2G Ex db IIC T3 Ta < 70 °C (+158 °F)
<b>Dust explosion protection zones 21 and 22</b>	II 2D Ex tb IIIC T165 °C Db Ta < 55 °C (+131 °F) II 2D Ex tb IIIC T180 °C Db Ta < 70 °C (+158 °F)
<b>Certificate</b>	KEMA 00 ATEX 2006, IECEX KEM 10.0002 X

## OPTIONS

<b>Lens colors</b>	Amber, Blue, Yellow, Red (other colors upon request)
--------------------	---

## TYPE OVERVIEW

Voltage	Lens Color	Type	Type Number
115 V AC	Amber	BExBG21D-P 115 VAC/AM	070-000-087/AM
	Blue	BExBG21D-P 115 VAC/BU	070-000-087/BU
	Red	BExBG21D-P 115 VAC/RD	070-000-087/RD
	Yellow	BExBG21D-P 115 VAC/YE	070-000-087/YE
230 V AC	Amber	BExBG21D-P 230 VAC/AM	070-000-088/AM
	Blue	BExBG21D-P 230 VAC/BU	070-000-088/BU
	Red	BExBG21D-P 230 VAC/RD	070-000-088/RD
	Yellow	BExBG21D-P 230 VAC/YE	070-000-088/YE

### Call Signaling at Intercom Stations

Call signaling is activated as soon as the intercom station receives a call. Call signaling stops as soon as the incoming call has been answered at the intercom station or a pre-programmed time has elapsed.

### Alarm Signaling

In case of an alarm, the beacon is activated for the duration of the alarm.

© INDUSTRICONIC