



60 WBL 01

# FLASHING WARNING BEACON

## FOR USE IN INDUSTRIAL ENVIRONMENTS

The flashing warning beacon is used to visually indicate alarm signals as well as incoming calls at intercom stations. It can directly be controlled by the INDUSTRONIC system or an intercom station.

The robust beacon can be installed both indoors and outdoors.



- Weather-proof flashing warning beacon for industrial environments
- Degree of protection IP54
- Sturdy metal housing
- Impact-proof lens
- Flash energy 5 Joule
- Universal application possibilities

### MECHANICAL DATA

Housing material	Aluminum
Lens material	Polycarbonate (PC)
Width x height	54 mm x 200 mm (2.13" x 7.87")
Cable gland	M20
Weight	Approx. 0.3 kg (approx. 0.66 lbs)
Lens colors	Orange, Red, Yellow, White, Green (other colors upon request)

### ELECTRICAL DATA

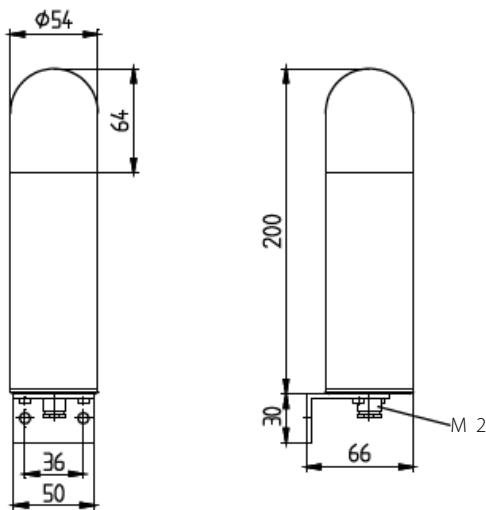
Operating voltage range	50 V DC to 72 V DC
Current consumption	125 mA
Flash energy	5 Joule
Flash rate	1 Hz

### ENVIRONMENTAL REQUIREMENTS AND STANDARDS

Ambient temperature during operation	-40 °C to +55 °C (-40 °F to +131 °F)
Degree of protection	IP54 (vertical mounting)



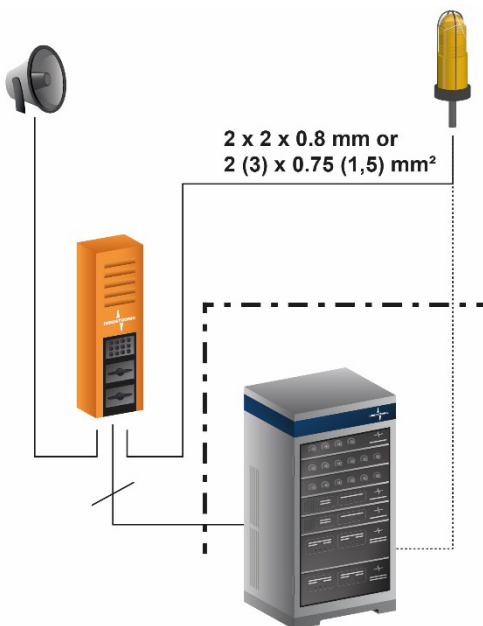
## DIMENSIONS



## TYPE OVERVIEW

Lens Color	Type	Type Number
Orange	60 WBL 01/OG	070-000-006/OG
Red	60 WBL 01/RD	070-000-006/RD
Yellow	60 WBL 01/YE	070-000-006/YE
White	60 WBL 01/WH	070-000-006/WH
Green	60 WBL 01/GN	070-000-006/GN

## APPLICATION



### Call Signaling at Intercom Stations

The flashing warning beacon starts to flash, as soon as the intercom station receives a call. The signaling stops, as soon as the incoming call has been accepted or the pre-programmed time has elapsed.

### Alarm Signaling

The flashing warning beacon is activated for the duration of the alarm. It can either be connected directly to the system or an intercom station in order to control the beacon from there.

© INDUSTRIONIC