



DSP 15 25W EExmNT (IIC)

SPEAKER

EXPLOSION-PROOF HORN SPEAKER

The speaker is especially designed for use in hazardous and noisy areas.

The connection cable is inserted into the E terminal compartment via an Ex cable gland. The power adjustment is carried out via different tapplings on the primary side of the 100 V transformer.



- Explosion-proof for Zone 1, 2, 21 and 22
- Robust industrial technology
- Sturdy design
- Stainless steel bracket
- Light weight
- Degree of protection IP66/IP67

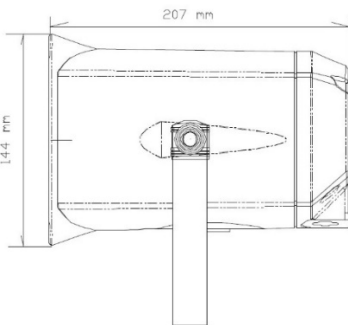
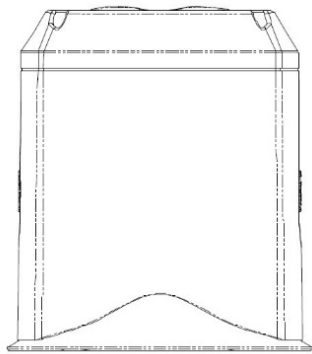
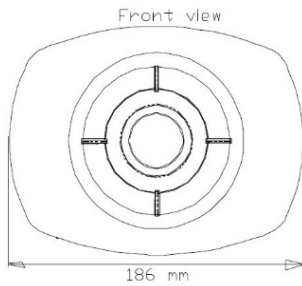
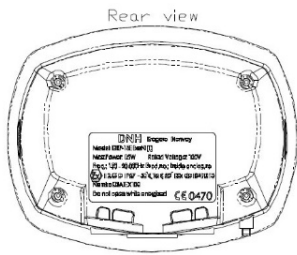
MECHANICAL DATA

Housing	Anti-static polyamide
Width x height x length	186 mm x 144 mm x 207 mm (7.32" x 5.67" x 8.15")
Cable entries	2 x M20 x 1.5
Cable gland	1 x M20, 1 x M20 stopping plug
Connection	Push terminals
Weight	Approx. 2.2 kg (4.85 lbs)
Color	Black (RAL 9005)
Mounting	Stainless steel bracket

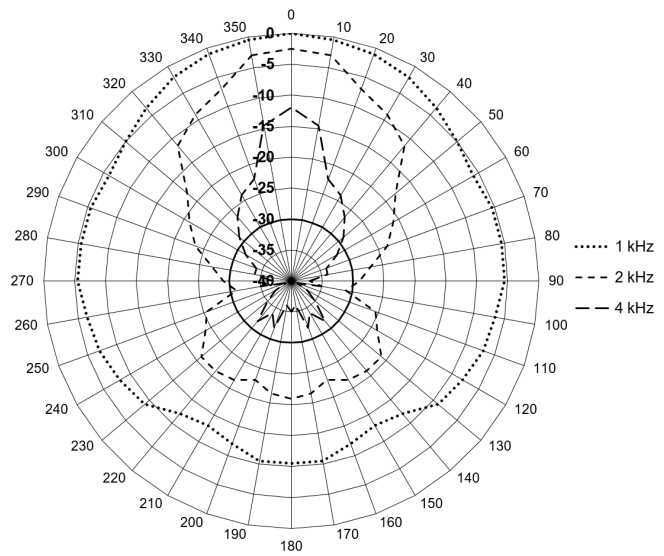
ELECTRICAL DATA

Rated power	25 W
Transformer tapplings	100 V: 25 W / 15 W / 6.5 W / 5 W / 2.5 W / 1.5 W
Sound pressure level 1 W, 1 m (3.28 ft)	104 dB (+/-3 dB)
Sound pressure level 25 W, 1 m (3.28 ft)	115 dB (+/-3 dB)
Effective frequency range	450 Hz to 7,000 Hz
Dispersion angle (-6 dB)	1 kHz / 4 kHz: 105° / 35°

DIMENSIONS

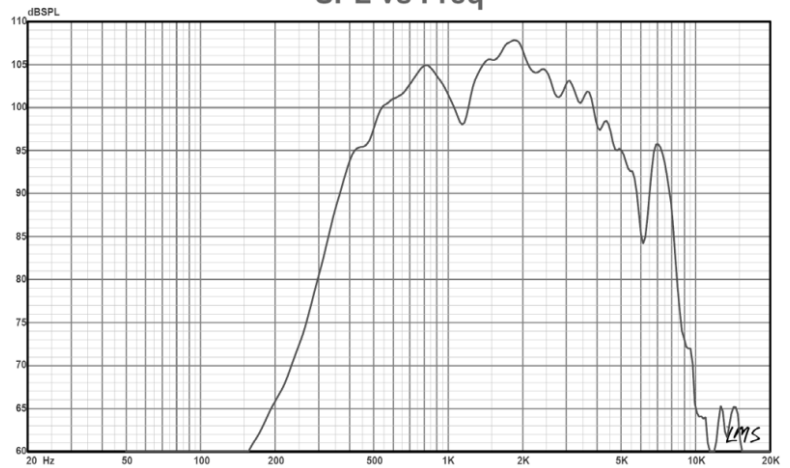


POLAR DIAGRAMM



FREQUENCY DIAGRAMM

SPL vs Freq



MEASUREMENT CONDITIONS

Sound pressure level (SPL)	1 W / 1 m (3.28 ft)
Pink noise	1/3 octave filter
Zero level in frequency response	50 dB
Range	60 dB

SOUND PRESSURE LEVEL RELATED TO DISTANCE

P _{max} 25 W	Level (dB) (-6 dB) (-20 dB) (-28 dB) (-36 dB)				
	at				
	1 m	2 m	10 m	25 m	65 m
	(3.28 ft)	(6.56 ft)	(32.81 ft)	(82.02 ft)	(213.25 ft)
	115	109	95	87	79

ENVIRONMENTAL REQUIREMENTS AND STANDARDS

Ambient temperature during operation	-50 °C to +60 °C (-58 °F to +140 °F)
Relative humidity (non-condensing)	Max. 95 %
Degree of Protection	IP66/IP67
Approvals	IECEX, ATEX, GOST, CQST, INMETRO
Markings	IECEX: Ex db eb mb IIC T4 Gb Ex tb IIIC T105° Db ATEX : Ex II 2G Ex db eb mb IIC T4 Gb Ex II 2D Ex tb IIIC T105°C Db

ORDER DATA

Type Number	001-225-048
--------------------	-------------

© INDUSTRONIC