

# LD 6 UE / 119

## In-ceiling Speaker



### Features and Functions

- Robust industrial technology
- Sturdy and robust design
- Ideal for use in indoor areas
- Easy mounting

The compact in-ceiling speakers of the LD 6 UE / 119 series are used together with the INDUSTRONIC communication and public address system. They are ideal for use in indoor areas, e.g. offices.

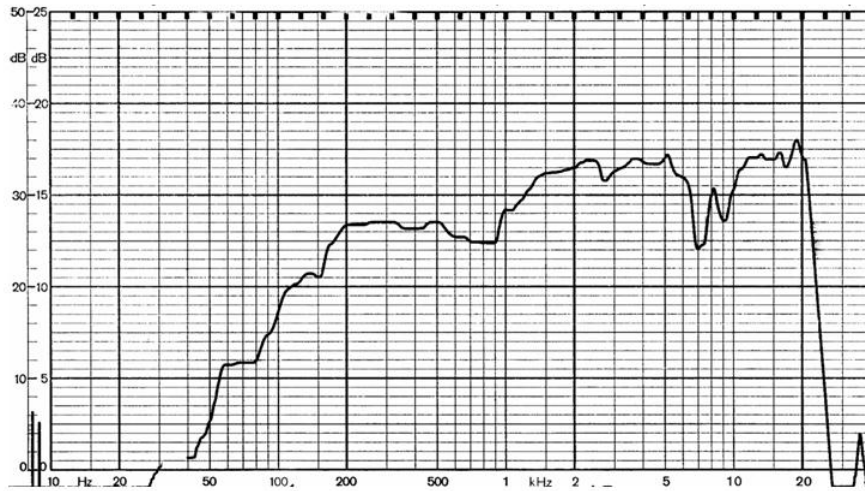
### Mechanical Data

• Housing	Plastic
• Diameter x depth	140 mm x 90 mm (5.5" x 3.5")
• Mounting cut-out diameter	120 mm to 130 mm (4.7" to 5.1")
• Ceiling thickness	1 mm to 20 mm (0.04" to 0.8")
• Connection	Clamps up to 2.5 mm <sup>2</sup>
• Weight	1.1 kg (2.4 lbs)
• Color	White (RAL 9016)
• Mounting	In-ceiling

### Electrical Data

• Rated power	6 W
• Transformer tapplings	100 V: 6 W / 3 W / 1.5 W
• Sound pressure level 1 W, 1 m (3.3 ft)	87 dB (+/- 3 dB)
• Sound pressure level 6 W, 1 m (3.3 ft)	95 dB (+/- 3 dB)
• Effective frequency range -3 dB	170 Hz to 22,000 Hz
• Dispersion angle -6 dB	1 kHz: 180°, 4 kHz: 130° 8 kHz : 80°

### Frequency Diagram



### Measurement Conditions

Sound pressure level (SPL): 1 W / 1 m (3.3 ft)

Pink noise: 1/3 octave filter

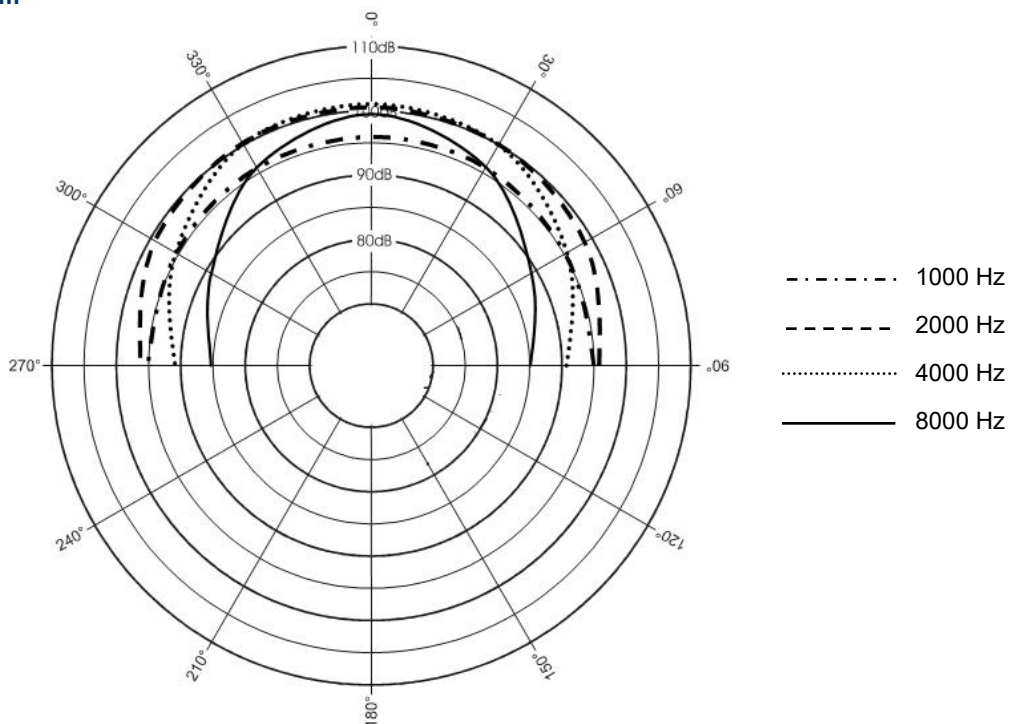
Zero level: 60 dB

Range: 50 dB

### Sound Pressure Level Related to Distance

P <sub>max</sub> :	Level (dB)	(-6 dB)	(-12 dB)	(-16 dB)	(-18 dB)	(-22 dB)	(-24 dB)	(-26 dB)	(-28 dB)
	at								
6 W	1 m (3.3 ft)	2 m (6.6 ft)	4 m (13.1 ft)	6 m (19.7 ft)	8 m (26.3 ft)	12 m (39.4 ft)	16 m (52.5 ft)	20 m (65.6 ft)	25 m (82 ft)
		95	89	83	79	77	73	71	69

### Polar Diagram



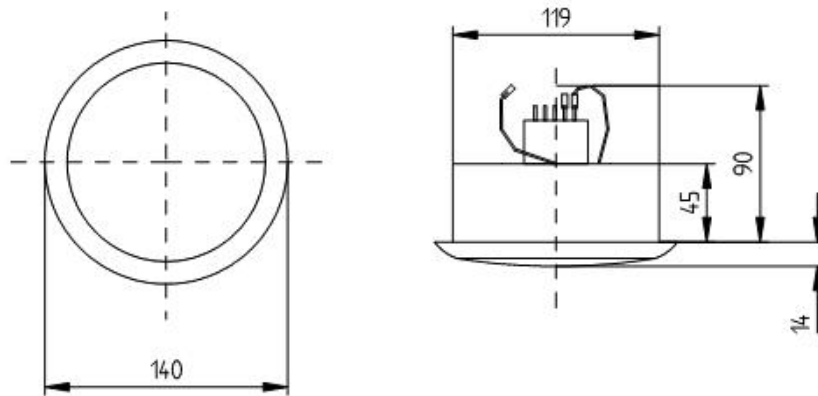


Figure 1: Dimensional drawing LD 6 UE / 119

#### Environmental Requirements and Standards

- Ambient temperature during operation -20 °C to +50 °C (-4 °F to +122 °F)
- Relative humidity (non-condensing) Max. 95 %

#### Order Data

#### Type Number

001-210-005

#### INDUSTRONIC®

Industrie-Electronic GmbH & Co. KG  
 Carl-Jacob-Kolb-Weg 1  
 97877 Wertheim / Germany

Tel.: +49 9342 871-0  
 Fax: +49 9342 871-565

info@industronic.de  
 www.industronic.com