

LWD 6 ÜRB/G/W

Wall-mounted Loudspeaker



Main features

- Robust industrial technology
- Sturdy and robust design
- Ingress protection IP 40
- Different colors available
- Ideal for use in indoor areas

The compact wall-mounted loudspeakers of the LWD 6 ÜRB/ G/W series are used together with the INDUSTRONIC communication and public address system. They are ideal for use in indoor areas, e.g. offices.

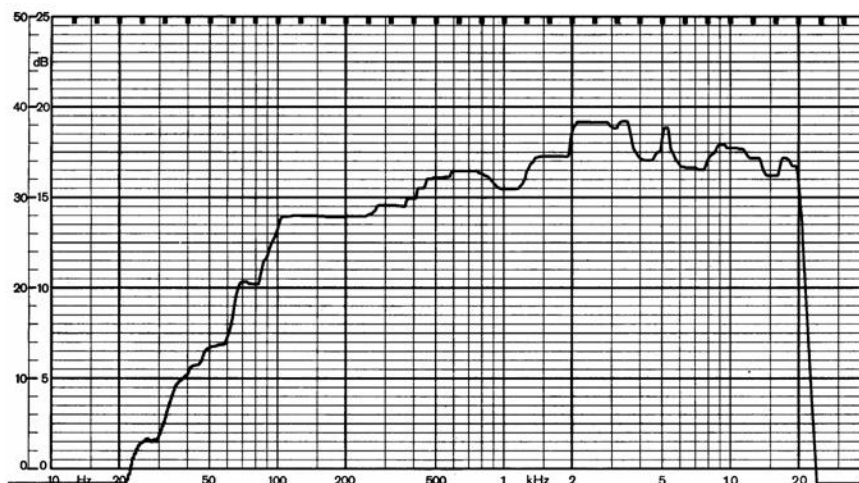
Mechanical data

• Housing	Plastic
• Dimensions (Width x Height x Depth)	210 mm x 312 mm x 85 mm (8 1/4" x 12 1/4" x 3 1/4")
• Ingress protection	IP 40
• Weight	1.4 kg (3 lb)
• Connection	Clamp
• Volume control	Type LWD 6 ÜRx
• Color	Blue Type LWD 6 ÜRB Grey Type LWD 6 ÜRG White Type LWD 6 ÜRW

Electrical data

• Rated power	6 W
• Transformer tapings	100 V; 6 W / 3 W / 1,5 W
• Sound pressure level 1 W, 1 m	91 dB
• Sound pressure level 6 W, 1 m	99 dB
• Effective frequency range	100 Hz to 20000 Hz
• Dispersion angle	1 kHz: 180°, 4 kHz: 90°, 8 kHz: 40°

Frequency diagram



Measurement conditions

Sound pressure level (SPL): 1 W / 1 m

Pink noise: 1/3 octave filter

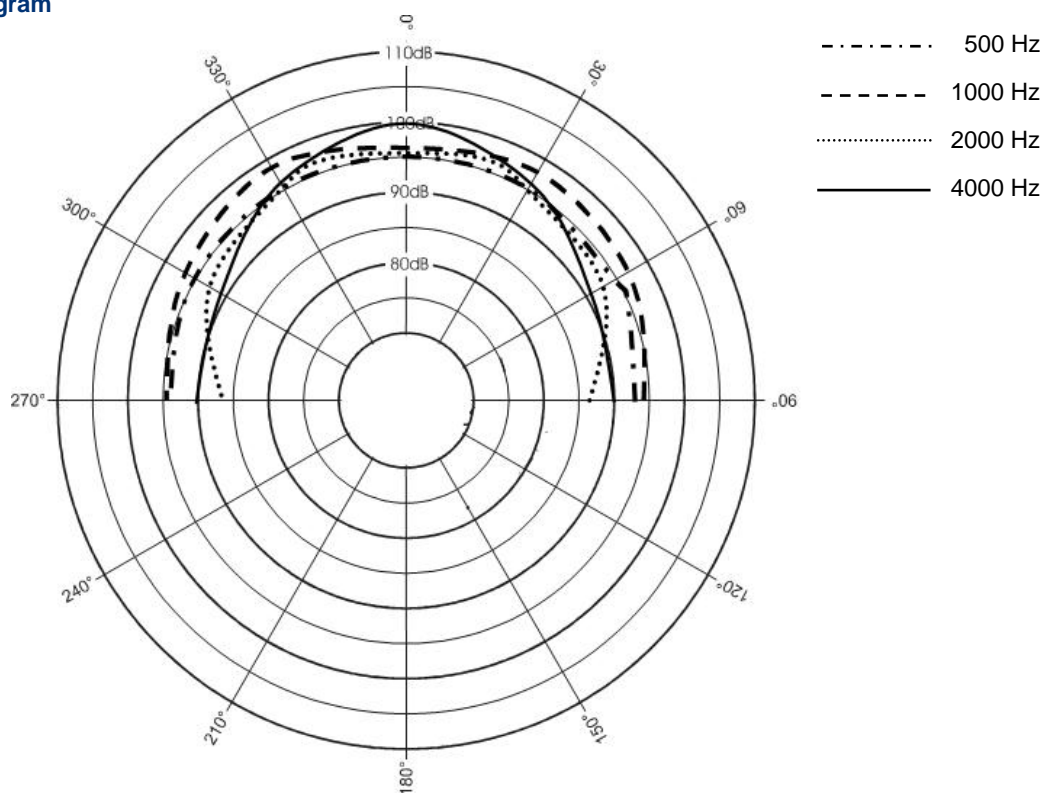
Zero level: 60 dB

Range: 50 dB

Output level related to distance

P _{max} : 6 W	Level (dB) at	(-6 dB)	(-12 dB)	(-16 dB)	(-18 dB)	(-22 dB)	(-24 dB)	(-26 dB)	(-28 dB)
	1 m	2 m	4 m	6 m	8 m	12 m	16 m	20 m	25 m
	99	93	87	83	81	77	75	73	71

Polar diagram



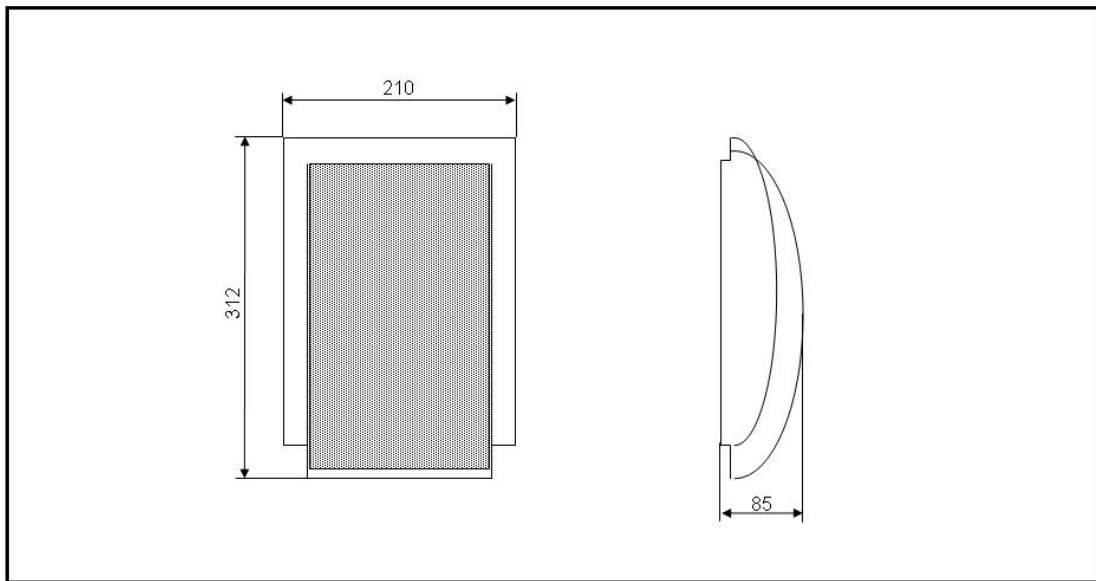


Figure 1: Dimensional drawing LWD 6 ÜRB/G/W

INDUSTRONIC®

Industrie-Electronic GmbH & Co. KG
 Carl-Jacob-Kolb-Weg 1
 97877 Wertheim / Germany

Tel.: +49 9342 871-0
 Fax: +49 9342 871-565

info@industronic.de
 www.industronic.com